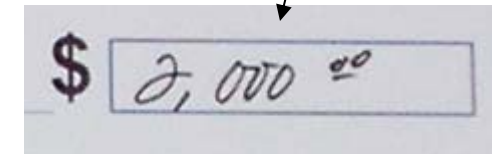
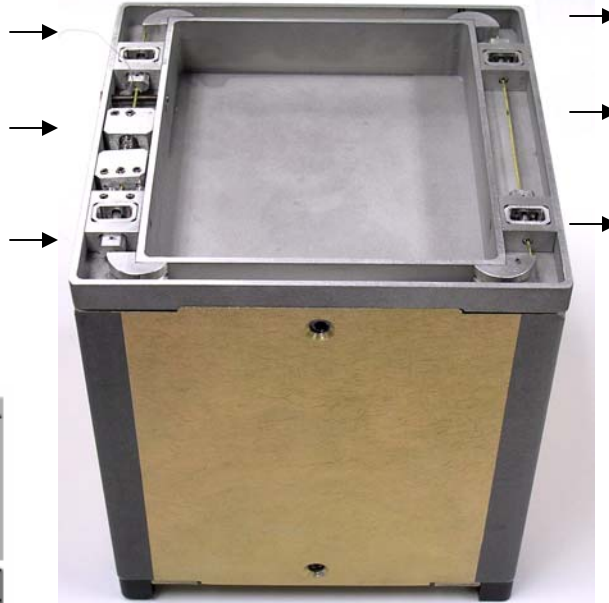
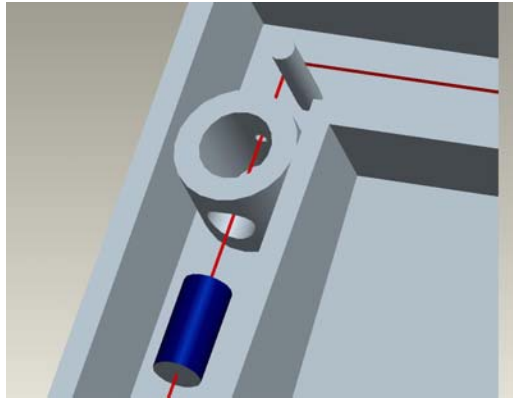


# SMALLSATELLITE DESIGN CLUB

## JOIN THE CLUB FOR YEAR 2 OF GSAT!

2004-05: FROM CONCEPT.....TO ENGINEERING MODEL.....TO COLD HARD CASH!



- 2005-06: We're going for the grand prize: **\$10K!**
- Challenge: Innovative and Practical SmallSat Design
- Reward
  - Invaluable design experience
  - Winning Satellite Gets Launched into Orbit
- Last year we:
  - Finished 2<sup>nd</sup> at Florida University Satellite Competition
  - We're one of 6 out of 17 papers picked to present at the international AIAA/USU SmallSat Conference
- 1<sup>st</sup> MEETING: **Wednesday, September 14 @ 5:30 PM**
- WHERE: **MAE B 229**
- EMAIL: **info@ufsmallsat.com**
- WEBSITE: **www.ufsmallsat.com**
- We have work for all engineering fields and levels
- Need work/analysis in: orbital mechanics, structures, mechanism design, vibe/thermal testing, polymer chute design, controls, CAD, optimization, hardware integration, chemical permeability, electronics setup, and more!